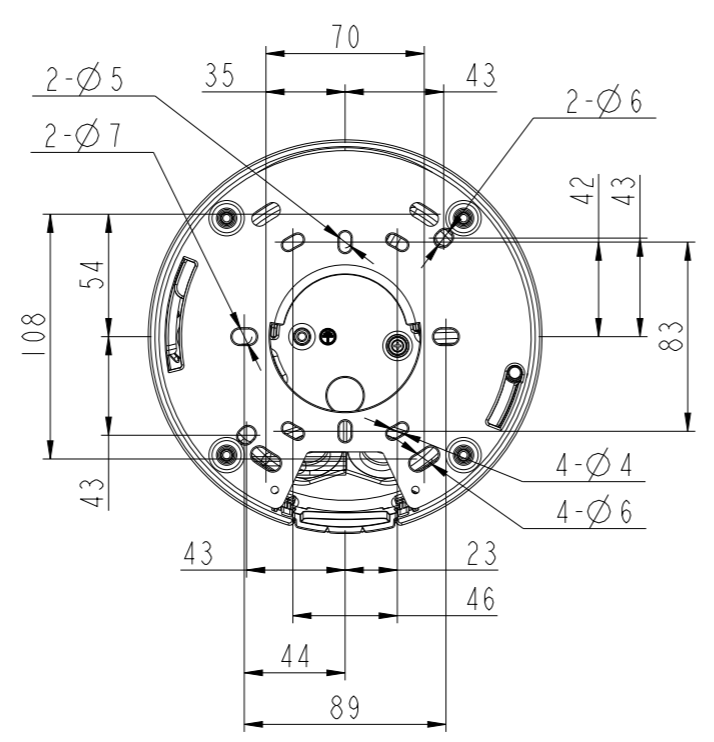
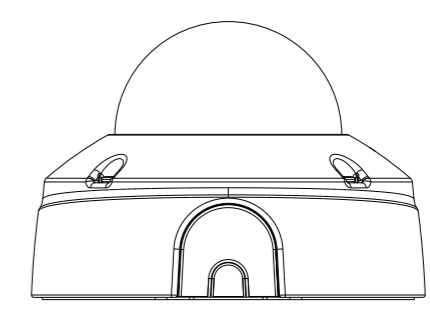
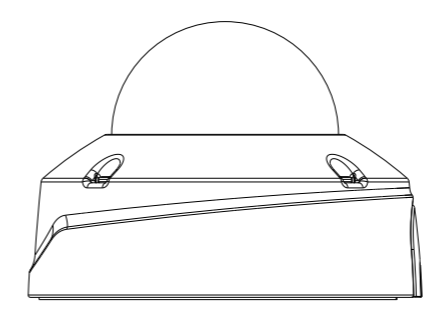
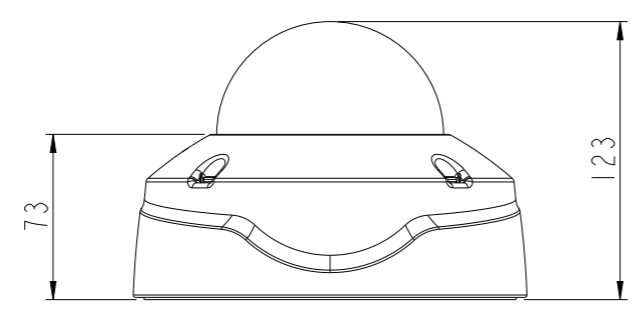
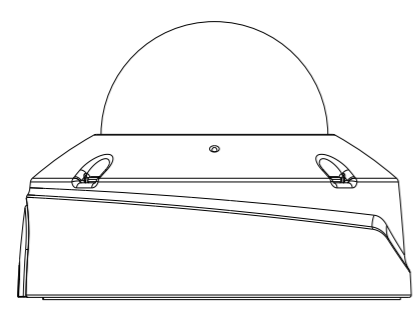
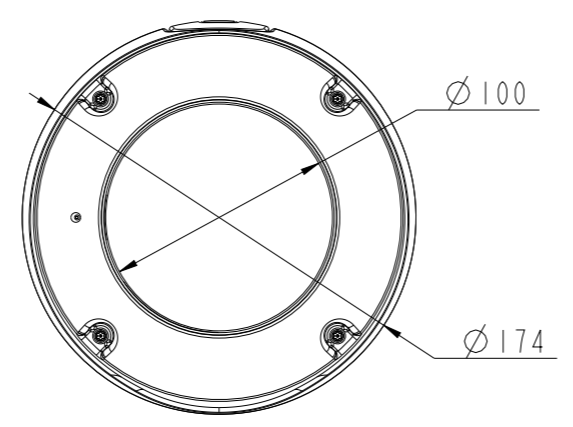


REVISIONS				
REV	DESCRIPTION	POSITION	ENGINEER	DATE
00	New Edition			2023/11/03



Default tolerance: grade F						
Class	Dimension tolerance range(mm)					
	0.5-3	3-6	6-30	30-120	120-400	400-1000
F	±0.05	±0.05	±0.1	±0.15	±0.2	±0.3
M	±0.1	±0.1	±0.2	±0.3	±0.5	±0.8
C	±0.2	±0.3	±0.5	±0.8	±1.2	±2
USER						

Angle tolerance range(deg) (Base on the length of short dimension)					
Class	≤10	10-50	50-120	120-400	>400
F	±1°	±0°30'	±0°20'	±0°10'	±0°5'
M	±1°	±1°	±0°30'	±0°15'	±0°10'
C	±1°30'	±1°	±0°30'	±0°15'	±0°10'
USER					

VIVOTEK
A DELTA GROUP COMPANY

THESE DRAWINGS AND SPECIFICATIONS ARE THE PROPERTY OF VIVOTEK, INC. AND SHALL NOT BE REPRODUCED OR USED AS THE BASIS FOR THE MANUFACTURE OR SELL OF APPARATUS OR DEVICES WITHOUT PERMISSION.

CP02-WI-014-01-7

PART NO.		MODEL		DESCRIPTION		ISSUE DATE		REVISION	
ENGR	Jeff	FD9187-HT-V3, FD9387-EHTV-v3		FD9187-HT-V3, FD9387-EHTV-v3_6VIEW	2023/11/03	VI.0			
DRN	Jeff								
CHK	Kimi								
M'TL									
FINISH									
THIRD ANGLE PROJECTION		SCALE	0.300	UNIT	mm	SIZE	A3	SHEET	1 OF 1